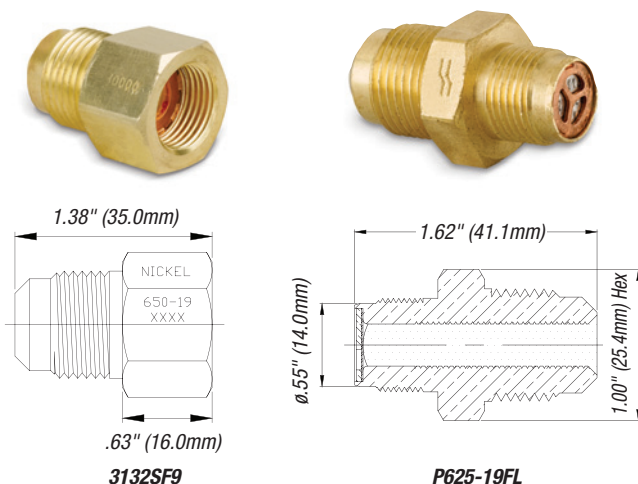


## 3132 Pipe-a-Way Fuse Plugs



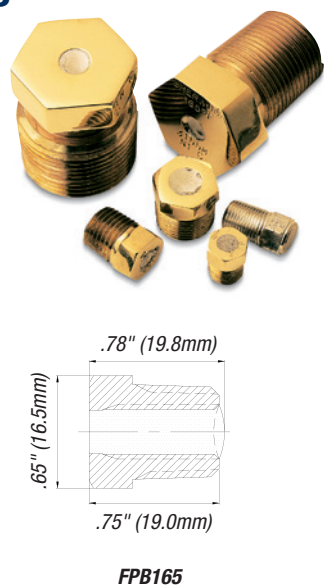
### Key Features & Benefits

- 3132: Vented Pressure Relief Valve Assemblies for use in conjunction with 650 external-style relief devices
- P625-19N9-FL-XXW Series: Flared Pressure Relief Devices Assembly for use with 625 internal-style N-style relief devices
- Enable a pipe-a-way configuration
- Provide method of direction for flow or relief

### Ordering Information

Sherwood Part Number	Outlet	Inlet	Fusible Metal	Material
<b>3132SF9-XX Series</b>	½" SAE Flared	.650-19	None	Nickel
<b>3132SB9-XX Series</b>	½" SAE Flared	.650-19	212° F	Copper
<b>3132SM9-XX Series</b>	½" SAE Flared	.650-19	165° F	Copper
<b>3132SBF9-XX Series</b>	½" SAE Flared	.650-19	212° F	Nickel
<b>P625-19N9-FL-XXW Series</b>	½" SAE Flared	.625-19	212° F	Nickel

## Fuse Plugs



### Key Features & Benefits

- All fuse plugs are UL® Listed
- Produced from high-quality brass and steel alloy rod
- Meticulously controlled fusible alloy ensures accurate and consistent melt temperatures
- Fusible alloy is cast into plug body to ensure an extremely strong bond between alloy and plug body
- Fusible plug stamped with fusible metal yield temperature

### Ordering Information

Sherwood Part Number	Thread Size	Body Material	Fusible Metal Yield Temp. Nominal	Clear Opening Diameter
<b>FPA165</b>	⅜"-27 NPTF	Brass	165° F	.219"
<b>FPA212</b>	⅜"-27 NPTF	Brass	212° F	.219"
<b>FPB165</b>	¼"-18 NPT	Brass	165° F	.250"
<b>FPB212</b>	¼"-18 NPT	Brass	212° F	.250"
<b>FP201B-NPT</b>	⅜"-27 NPTF	Brass	212° F	.199"
<b>FP202B-BSP</b>	⅜" BSP	Brass	212° F	.199"

NOTE: BSP = British Standard Pipe Thread, NPT = National Pipe Thread, NPTF = National Pipe Threaded Fine.