

Cryogenic Regulator 1/2" inlet/outlet for Bulk Vessels CB504

Application

CB504 series regulators maintain the pressure of cryogenic liquid within bulk vessels combining the pressure building (RG) and economizer (ECL) function in one compact unit.

Features

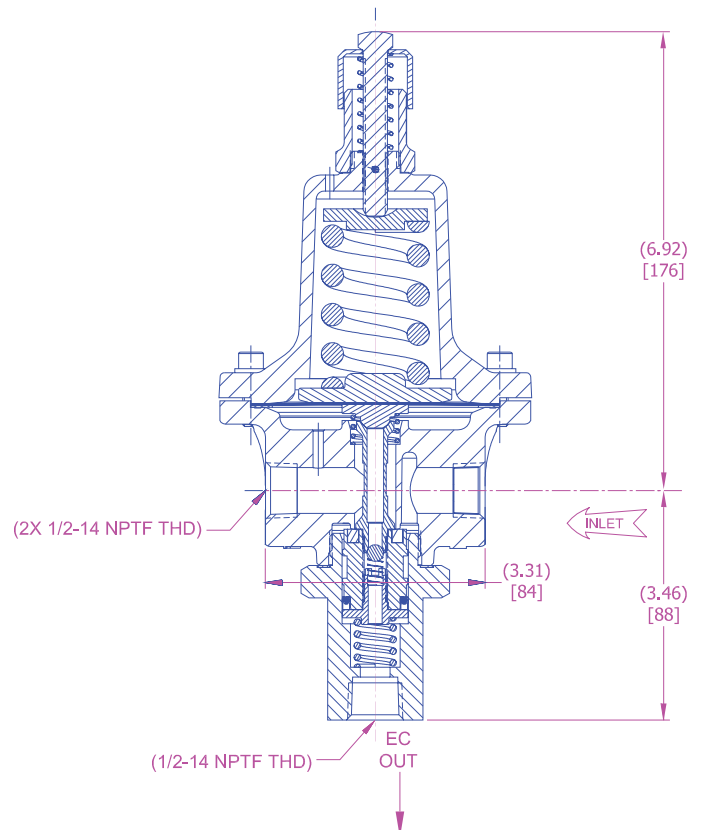
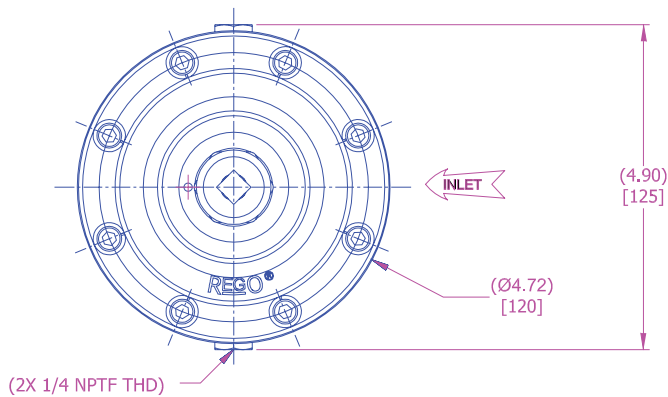
- All parts are copper alloy (brass), PTFE, and stainless steel—materials selected specifically for compatibility with cryogenic temperatures down to -340°F.
- Tamper resistant bonnet cap prevents inadvertent pressure adjustment.
- Maximum inlet pressure of 550 PSIG (37.92 BAR)
- PTFE seat provides positive shut off at cryogenic temperatures
- Compact design fits well in tight plumbing geometries
- 100% factory tested
- Cleaned per CGA G-4.1 for oxygen service
- Suitable for argon, nitrogen, oxygen and LNG



CB504

Materials

Body	Brass
Bonnet	Brass
Spring	Stainless Steel
Diaphragm Gasket.....	PTFE
Diaphragm.....	Phosphor Bronze
Seat.....	PTFE
Backcap Gasket	Copper



Ordering Information

Part Number	Inlet/Outlet Connections (F.NPT)	Operating Range (PSIG)
CB000504-B	1/2"	100-200