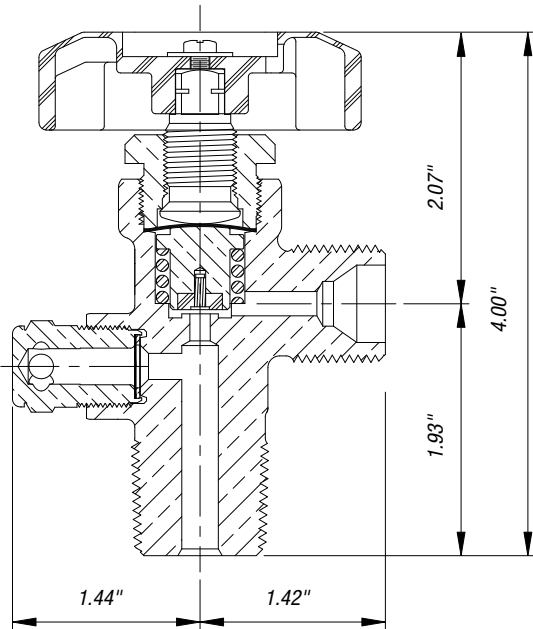


# 5074 Series Brass Diaphragm Valves

Sherwood's 5074 Series is designed for various high purity gases, UHP mixtures, and pure gas applications.



- Standardized anti-extrusion pin feature prevents seat extrusion and cold flow of the polymeric seat
- Available in multiple seat material configurations to accommodate all high-purity gas applications
- Increased flow (Cv) to aid in reducing vent and purge times
- Low operating torque design ensures ease of operation during filling and use
- Available with unitized pressure-relief device, which is equipped with a webbed washer design to protect the burst disc from damage during transportation and replacement
- Optional inlets equipped for dip tube assembly
- Available with standard CGA connections as well as international inlets and outlets

5074 X - (CGA) X X - B

<b>X =</b>
R = Tapped for Flow Restrictor
T = Tapped for Inlet Dip Tube
X15 = 1½"-12 UNF Inlet (Straight Thread)
X75 = ¾"-16 UNF Inlet (Straight Thread)

<b>PSIG</b>
A = 3000 PSIG
B = 3360 PSIG
C = 3775 PSIG
D = 4000 PSIG

<b>X = Temperature</b>
M = 165° Fuse Metal
W = 212° Fuse Metal

Certified Cleaned for Oxygen Service

## Brass Diaphragm Valves

Valve Series	Inlets	Outlets	Seat Material
<b>5074 Tapered</b>	¾"-14 NGT	CGA	Nylon® 6/6 PCTFE PVDF
<b>5074X15 Straight Thread</b>	1½"-12 UNF ¾"-16 UNF	CGA	Nylon 6/6 PCTFE PVDF
<b>5074 International Series</b>	BS 341, DIN 477, ISO; All Others Available upon Request	CGA, BS 341, DIN 477, ISO; All Others Available upon Request	Nylon 6/6 PCTFE PVDF

## Pressure-Relief Device

Burst Pressure @ 165° F

Burst Disc Material

Type  
(per to CGA S1.1 latest edition)

A – 3000 PSIG
B – 3360 PSIG
C – 3775 PSIG
D – 4000 PSIG
Nickel 200
Copper
None, Where Prohibited
CG-1 Burst Disc Only
CG-4 Burst Disc w/ 165° F Fuse Metal
CG-5 Burst Disc w/ 212° F Fuse Metal

## Specifications

Max. Service Pressure	3000 PSIG	200 Bar
Temperature Range	-50° F → 130° F	-45° C → 54° C
Leak Rate @ 2000 PSIG (138 Bar)	1x10 <sup>-7</sup> atm cc/sec.	1x10 <sup>-7</sup> Bar mL/sec.
Closing Torque	50 in.-lbs. @ 2000 PSIG	5.6 N-m @ 138 Bar
Cv	.635	.635

## Optional Features

- R = Outlet: Tapped for ⅝"-24 UNF Flow Restrictor
- T = Inlet Tap Available in ¼", NPT or 10 mm
- B = Certified Cleaned for Oxygen Service